

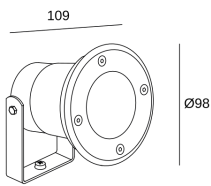


Post

PX-1400-BLA

Spotlight IP65 Post GU10 8W White 370lm

TECHNICAL FEATURES



Total power consumption of light (W) : 8W

Real lumens : 370

Nominal lumens : 0

Real lm/W : 46

Lens / reflector angle : MEDIUM 28°

Structure material : Aluminium, Aluminium

Structure finish : White

Diffuser material : Glass

Diffuser finish : Transparent

Max. size of light bulb : 55/50 mm

Recommended light bulb : GU10

Voltage / frequency : 100-240V/50-60Hz

Warranty : 5 Years

Easily recycled luminaire

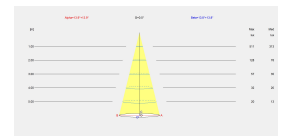
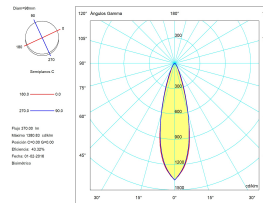
LUMINOTECHNIC FEATURES

CRI: NA

MacAdam steps: NA

Photobiological risk: NA

Lampholder	Quantity	Light source power (W)
GU10	1	Max. power 8W



LOGISTICS

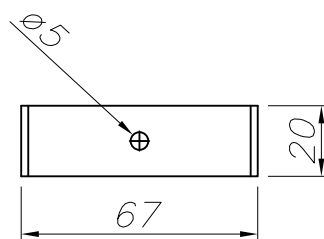
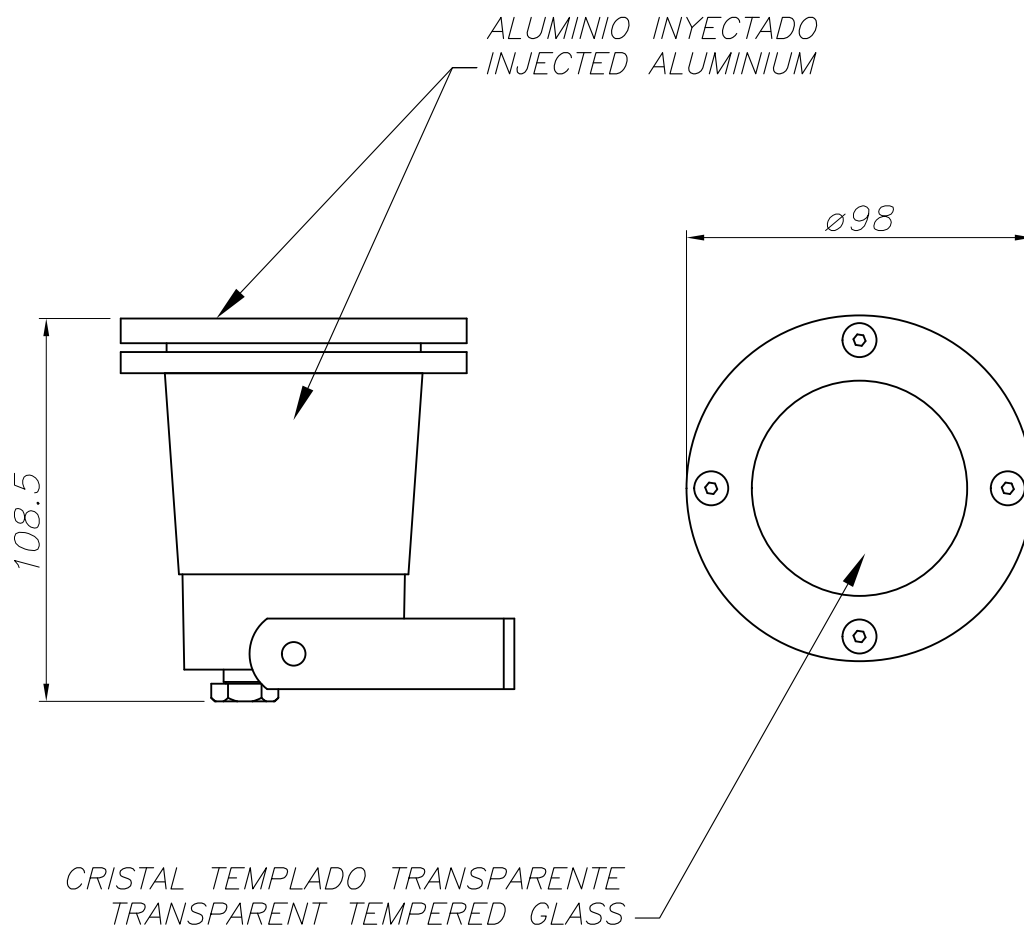
Net weight (kg): 0.47

Packaged weight (kg): 0.58

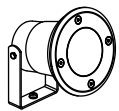
Packaging: 100mm x 100mm x 180mm

 20 Un



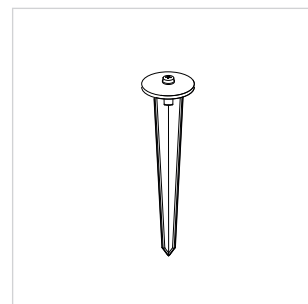
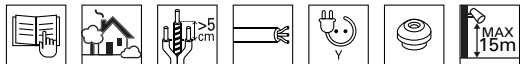


PLANTILLA DE INSTALACIÓN
INSTALLATION TEMPLATE



Post PX-1400

FOR
LIGHT



1

2

3

4

5

6

7

8

OFF

ON

Ømin = 5mm
Ømax = 7mm

L = L
N = N

GU10

1

2

